

Little Gem Aspire™ Dicer

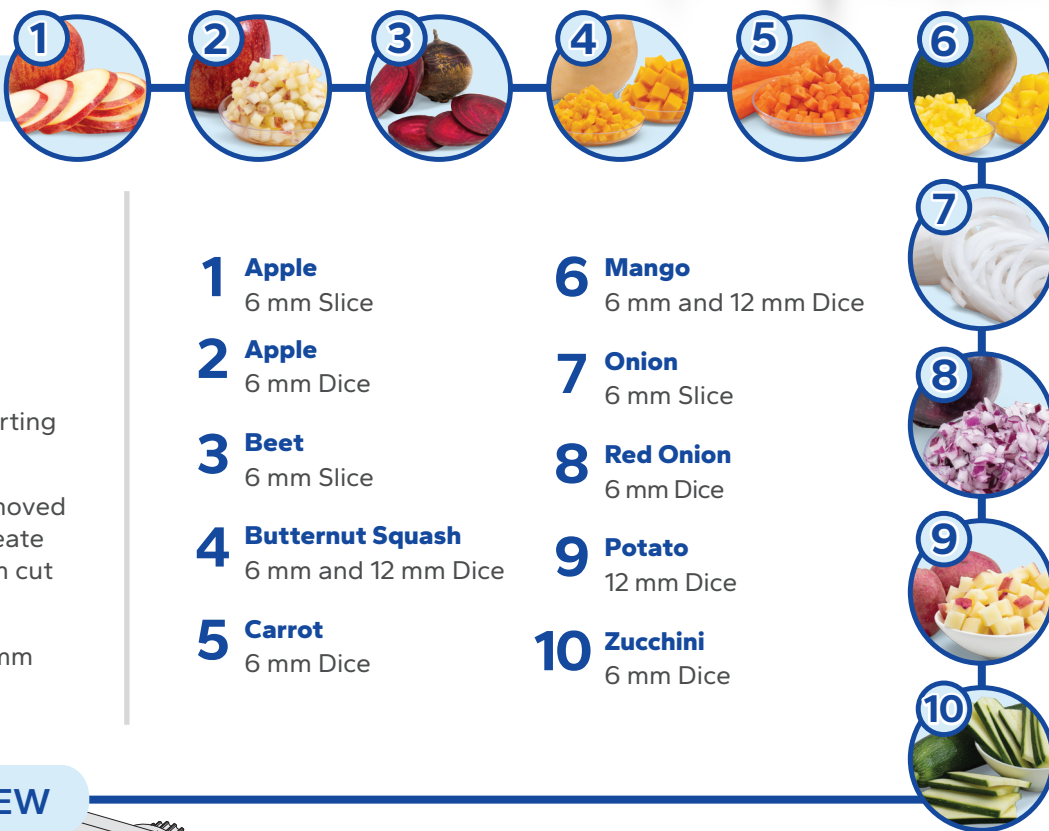
EASY TO USE, COMPACT DESIGN, HIGH PERFORMANCE

The Little Gem Aspire™ Dicer is ideal for slicing, dicing, or strip cutting fruits and vegetables. The Little Gem Aspire™ Dicer offers a small footprint to take up limited production space. The top of the machine is capable of supporting a bin or basket to assist in feeding. Slice knife may be resharpenered to extend the life. The ultra-compact zone features a StatiCut™ assembly instead of a circular knife assembly.

The machine offers incredibly quick changeovers in a matter of minutes. 90% of all procedures may be completed with the use of two wrenches. The small dicer delivers a low cost of ownership with very few parts to inventory in order to achieve a full complement of cut sizes while processing a variety of fruits and vegetables.



CUTS



Slice

Flat Slice: up to 20 mm

Strip/Dice

StatiCut™ Knife Range: starting at 5 mm

StatiCut knives may be removed to increase cut width or create custom patterns. Maximum cut width is 100 mm.

Crosscut Range: up to 20 mm

1 Apple
6 mm Slice

2 Apple
6 mm Dice

3 Beet
6 mm Slice

4 Butternut Squash
6 mm and 12 mm Dice

5 Carrot
6 mm Dice

6 Mango
6 mm and 12 mm Dice

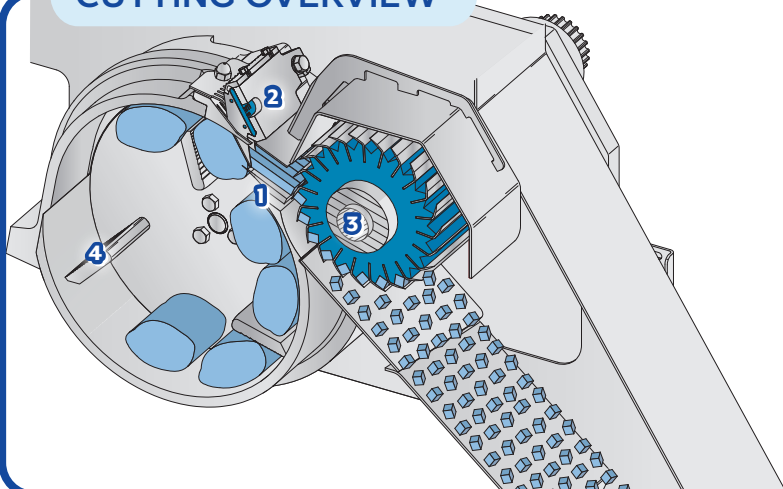
7 Onion
6 mm Slice

8 Red Onion
6 mm Dice

9 Potato
12 mm Dice

10 Zucchini
6 mm Dice

CUTTING OVERVIEW



1. Slicing Knife
2. StatiCut™ Knife Assembly
3. Crosscut Knives
4. Impeller

If your product application is not mentioned on this page, contact your local Urschel representative to determine the most effective solution to your size reduction needs.

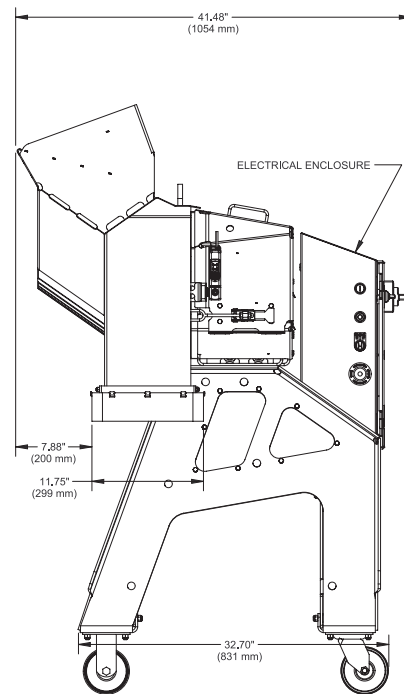
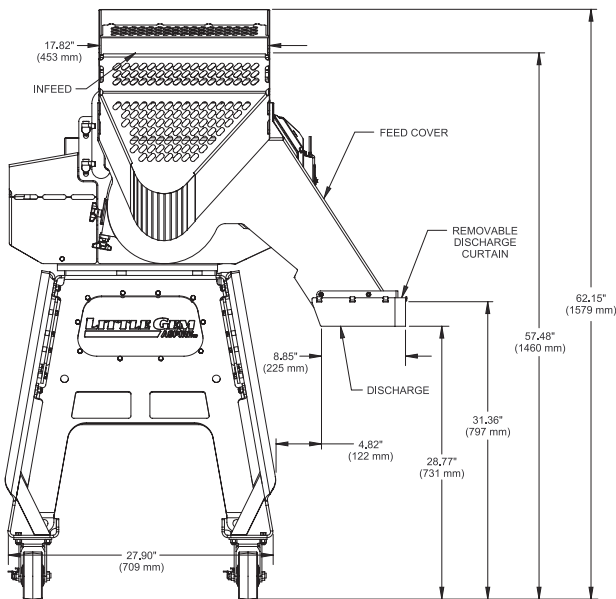
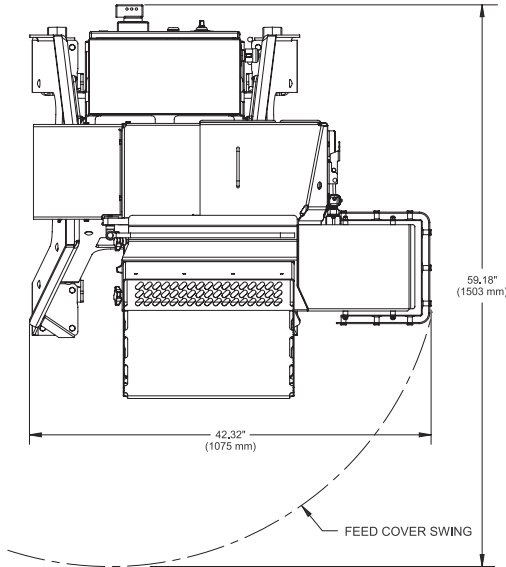
LITTLE GEM ASPIRE™ DICER



Measurements and weights may vary depending on machine configuration.

- Length:** 41.48" (1054 mm)
- Width:** 42.32" (1075 mm)
- Height:** 62.15" (1579 mm)
- Net Weight:** ... 720 lb (282 kg)
- Motor:** 1.5 HP (1.1 kW)

SPECIFICATIONS & DIMENSIONS



Test Cut Your Product

Contact your local Urschel representative to schedule a comprehensive, no-obligation test-cut of your product: www.urschel.com.



URSCHEL®

The Global Leader in Food Cutting Technology

www.urschel.com | info@urschel.com