

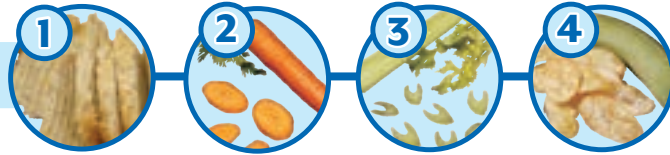
MODEL OC

CROSSCUT BIAS SLICER

The Model OC specializes in crosscut bias slicing of elongated products including bread, carrots, celery, okra, and plantain. The machine offers a variety of slice options, continuous operation for uninterrupted production, and simplified design for easy cleanup and maintenance.



TYPES OF CUTS



BIAS FLAT SLICES & BIAS CRINKLE SLICES

Wide range from 1/16 – 1-3/4"
(1.6 – 44.5 mm)

BIAS FLAT SLICES WHEN SPECIALLY EQUIPPED WITH A MICROSlice® WHEEL

.030 – .120" (.8 – 3 mm). Consult factory.
Requires certified print.

45-DEGREE ANGLE CUTTING

Model OC-45 is also available to slice at a 45-degree angle.

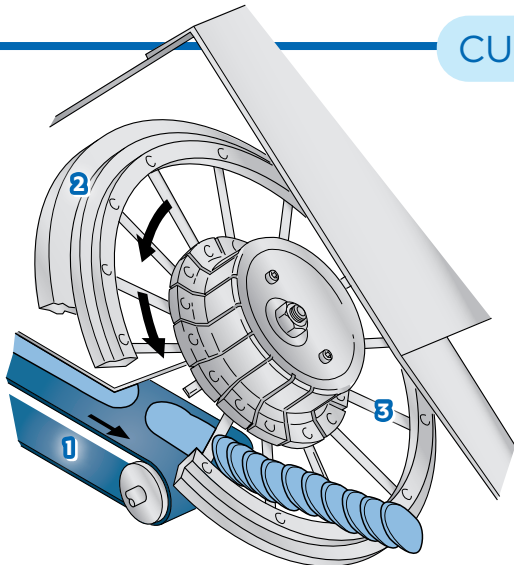
1 BREAD
1/4" (6.4 mm)
Bias Crinkle Slice

2 CARROT
1/8" (3.2 mm)
Bias Flat Slice

3 CELERY
1/8" (3.2 mm)
Bias Flat Slice

4 PLANTAIN
.060" (1.5 mm) Bias Flat Slice using MicroSlice® Wheel Special Application; Consult Factory

CUTTING OVERVIEW



1. Conveyor Belt
2. Slicing Wheel
3. Knives

Model OC specially equipped with a MicroSlice wheel.



If your product application is not mentioned on this page, contact your local Urschel representative to determine the most effective solution to your size reduction needs.

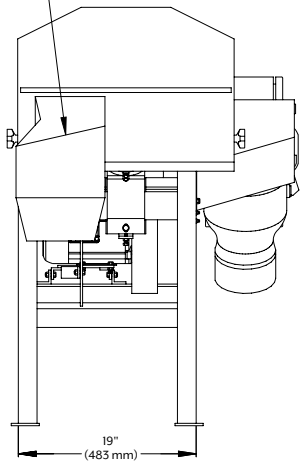
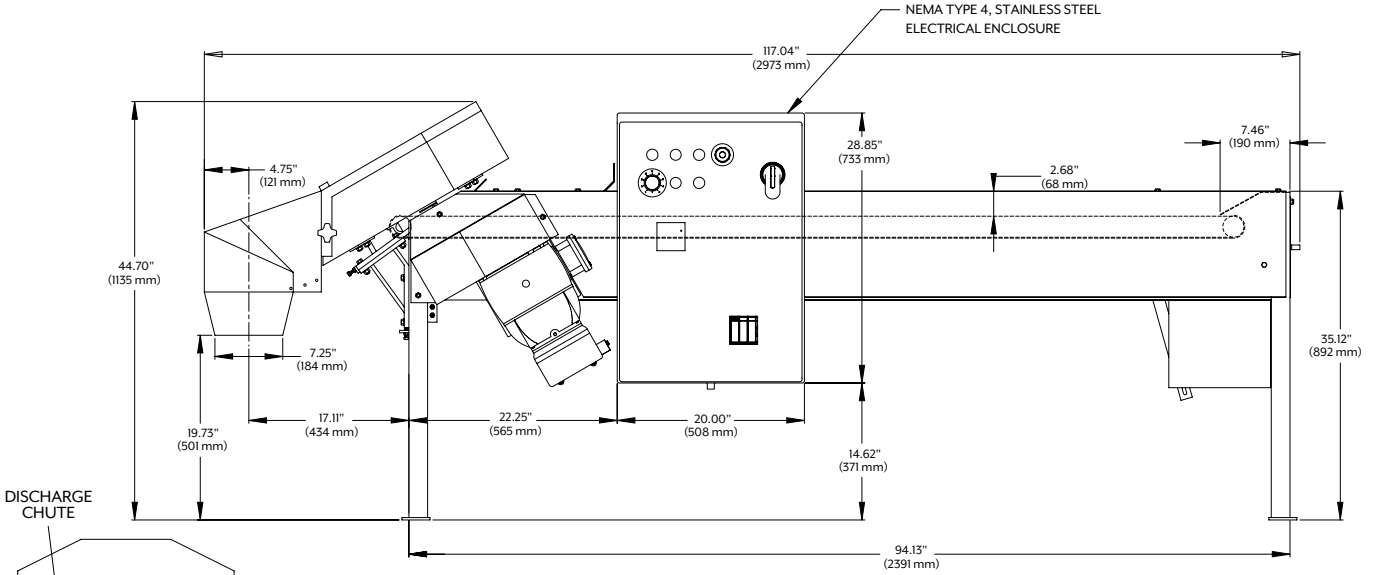
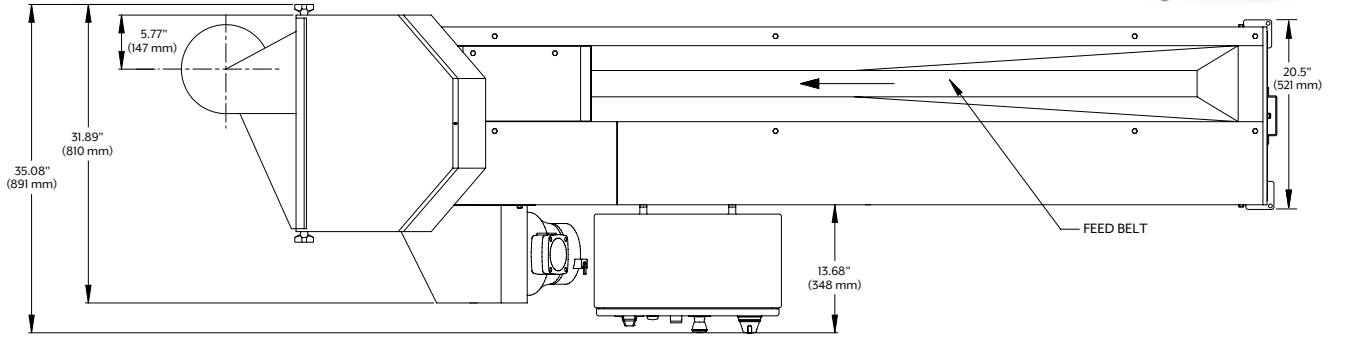
MODEL OC



Measurements and weights may vary depending on machine configuration.

Length:	117.04" (2973 mm)	Net Weight:	770 lb (349 kg)
Width:	35.08" (891 mm)	Motor:	3 HP (2.2 kW)
Height:	44.70" (1135 mm)	Feed Belt Motor:	3/4 HP (.56 kW)

SPECIFICATIONS & DIMENSIONS



TEST CUT YOUR PRODUCT

Contact your local Urschel representative to schedule a comprehensive, no-obligation test-cut of your product: www.urschel.com.



URSCHEL®

The Global Leader in Food Cutting Technology

www.urschel.com | ✉ info@urschel.com