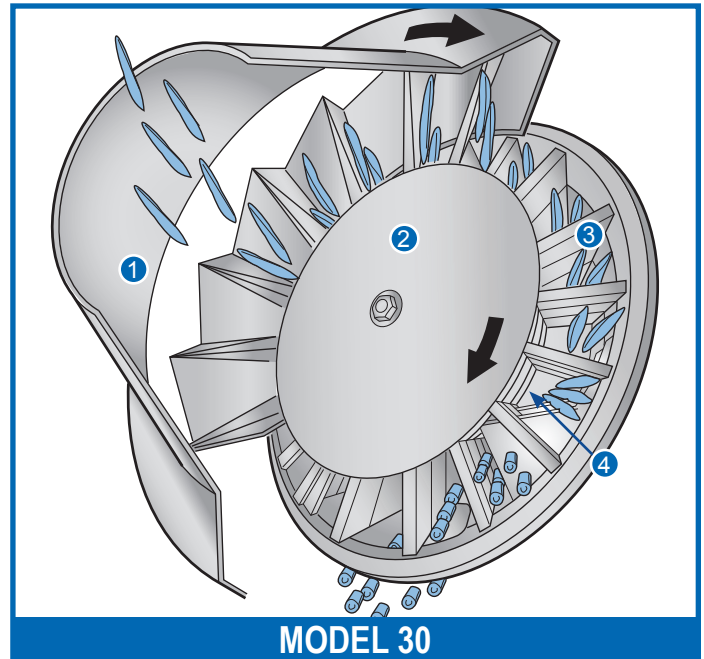


Urschel® Model 30

Crosscut Slicer for Elongated Products



SPECIFICATIONS

Length:	58.10" (1476 mm)
Width:	40.02" (1016 mm)
Height:	63.95" (1624 mm)
Net Weight:	560 lb (254 kg)
Motor:	3/4 HP (.56 kW)

APPLICATIONS

The Urschel® Model 30 crosscut slicer cuts across the length of elongated products while minimizing short end pieces. This slicer cuts elongated products such as green or wax beans, asparagus, okra, celery, carrots, and rhubarb.

Maximum infeed product entering either machine should not exceed 8" (203 mm) in length. Different style feed hoppers are available for use with different products. The machine features continuous operation for uninterrupted production, and is designed for easy cleanup and maintenance.

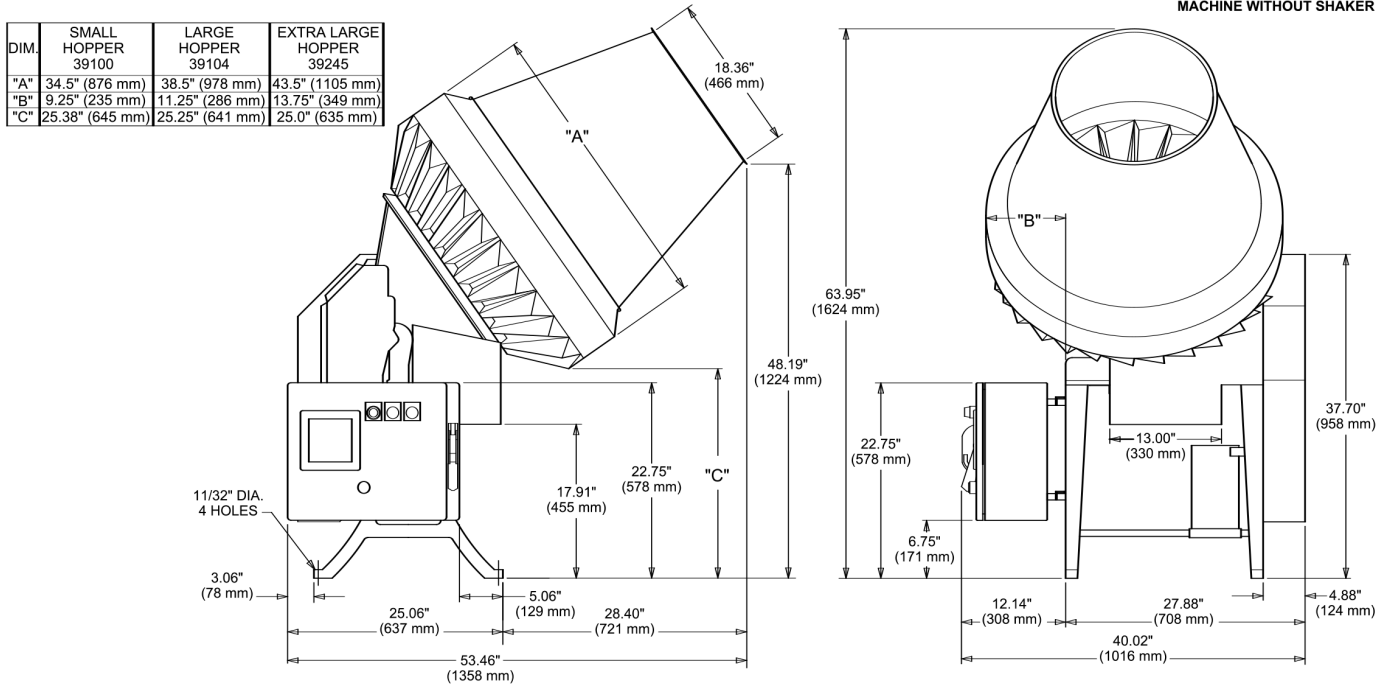
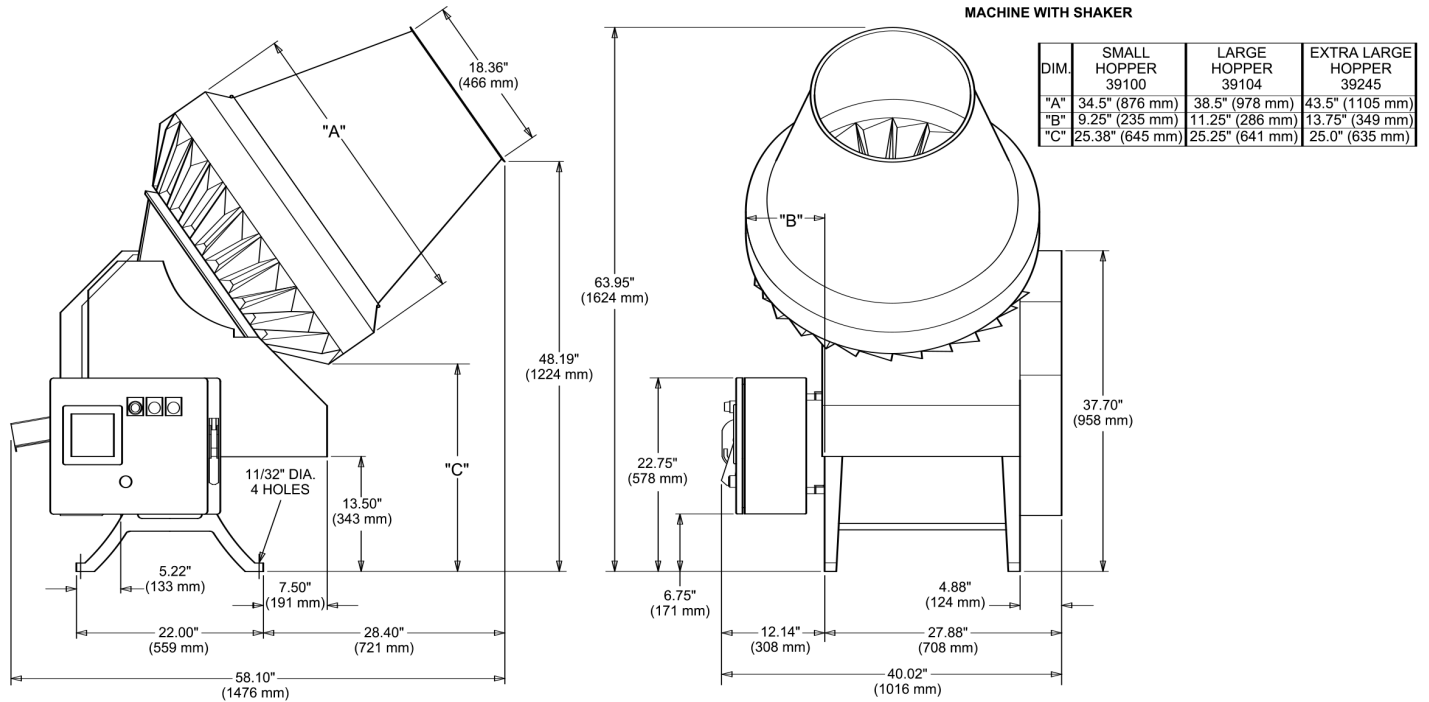
OPERATING PRINCIPLE

Product is delivered to a feed hopper [1], then enters a rotating feed hopper [2] and drops endwise into long, narrow cutting pockets [3]. These cutting pockets then pass through a series of stationary knives [4]. The cut product is dropped onto an optional shaker screen which removes small pieces.

TYPES OF CUTS

Length Cuts: 1/2" (12.7 mm), .800" (20.3 mm), 1" (25.4 mm), 1-1/4" (31.8 mm), 1-1/2" (38.1 mm), 2" (50.8 mm)

Urschel® Model 30 Dimensional Drawing



You Are Invited to Test Cut Your Product

Urschel has a complete network of test facilities and experienced service and sales representatives around the world ready to work for you on any size reduction application. Contact your local Urschel representative to schedule a comprehensive, no-obligation test today at www.urschel.com.



URSCHEL

The Global Leader in Food Cutting Technology
www.urschel.com | ✉ info@urschel.com