

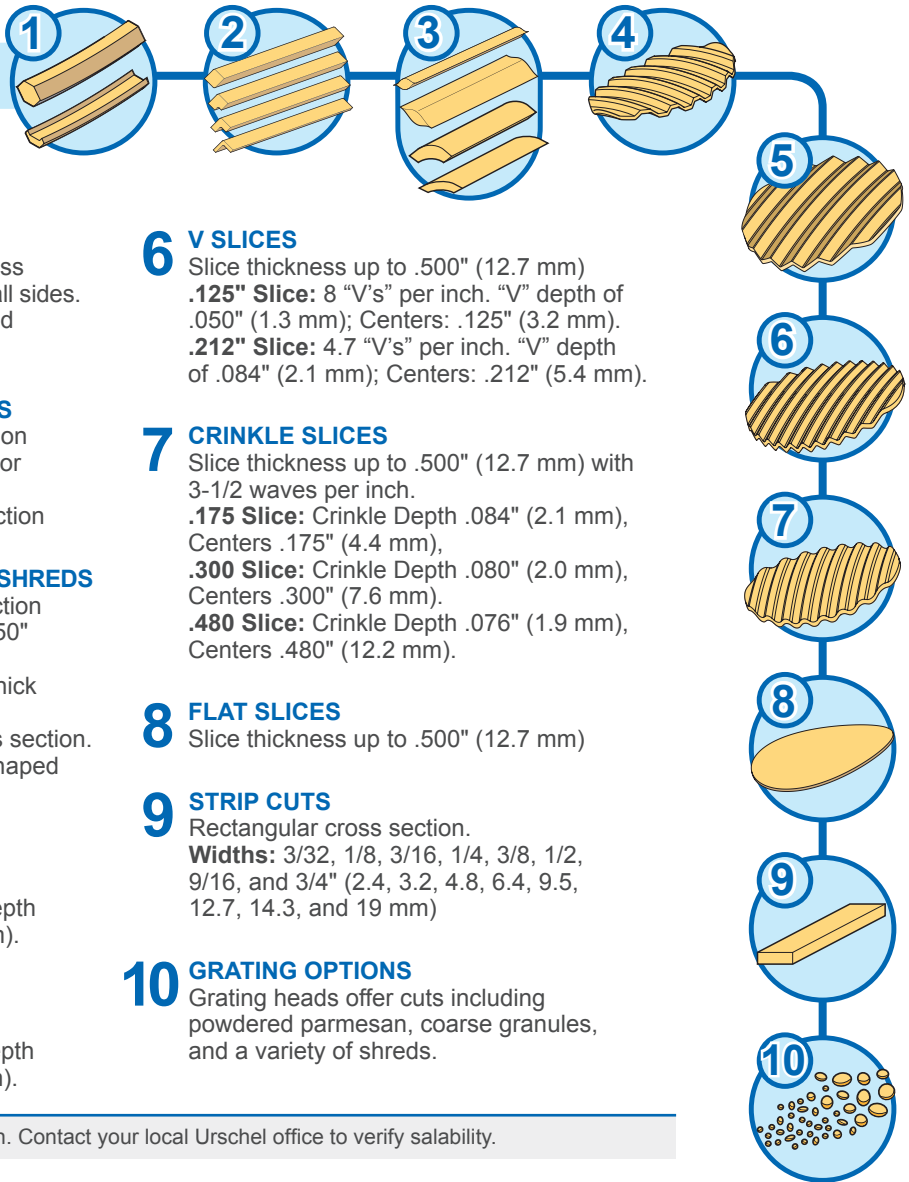
URSCHEL® MODEL CC-D

VERSATILE SHREDDER, SLICER, & STRIP CUTTER

Food processors choose the Model CC-D to shred, slice, strip cut, or granulate a variety of products including cheese, coconut, cranberries, potatoes, other fruits/vegetables, cooked meats, surimi, and pet food. Available in all stainless steel, the machine features continuous operation for uninterrupted production, and is designed for easy clean-up and maintenance. The Model CC-D will accept products measuring up to 3-1/2" (88.9 mm) in any dimension.



TYPES OF CUTS



1 FULL & REDUCED FLAT-V® SHREDS
Full Flat-V Shred: Hexagonal-shaped cross section approximately .150" (3.8 mm) on all sides.
Reduced Flat-V Shred: Flattened top and bottom that form a corrugated shred.

2 FULL SHREDS & REDUCED V SHREDS
Full Shred: Diamond-shaped cross section available in four thicknesses: .070, .097, or .125", *.285" (1.8, 2.5, 3.2, or *7.2 mm).
Reduced V Shred: "V"-shaped cross section

3 OVAL & REDUCED OVAL (CRESCENT) SHREDS
.250 Oval Shred: Oval-shaped cross section approximately .125" (3.2 mm) thick by .250" (6.4 mm) wide.
.480 Wide Oval Shred: .152" (3.7 mm) thick by .480" (12.2 mm) wide.
Crescent Shred: Crescent-shaped cross section.
Wide Crescent Shred: Wide crescent-shaped cross section.

4 *FLAT-V® SLICES
 Slice thickness up to .180" (4.6 mm) with 2.1 corrugations per inch. Corrugation depth of .125" (3.2 mm); Centers: .473" (12 mm).

5 *Z-CUT SLICES
 Slice thickness up to .325" (8.3 mm) with 2.1 corrugations per inch. Corrugation depth of .135" (3.4 mm); Centers: .394" (10 mm).

6 V SLICES
 Slice thickness up to .500" (12.7 mm)
.125" Slice: 8 "V"s per inch. "V" depth of .050" (1.3 mm); Centers: .125" (3.2 mm).
.212" Slice: 4.7 "V"s per inch. "V" depth of .084" (2.1 mm); Centers: .212" (5.4 mm).

7 CRINKLE SLICES
 Slice thickness up to .500" (12.7 mm) with 3-1/2 waves per inch.
.175 Slice: Crinkle Depth .084" (2.1 mm), Centers .175" (4.4 mm),
.300 Slice: Crinkle Depth .080" (2.0 mm), Centers .300" (7.6 mm).
.480 Slice: Crinkle Depth .076" (1.9 mm), Centers .480" (12.2 mm).

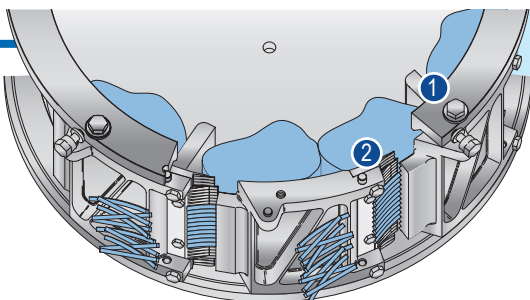
8 FLAT SLICES
 Slice thickness up to .500" (12.7 mm)

9 STRIP CUTS
 Rectangular cross section.
Widths: 3/32, 1/8, 3/16, 1/4, 3/8, 1/2, 9/16, and 3/4" (2.4, 3.2, 4.8, 6.4, 9.5, 12.7, 14.3, and 19 mm)

10 GRATING OPTIONS
 Grating heads offer cuts including powdered parmesan, coarse granules, and a variety of shreds.

*Limited availability based on customer application. Contact your local Urschel office to verify salability.

CUTTING OVERVIEW



1. Impeller Paddle
2. Shredding Knife

If your product application is not mentioned on this page, contact your local Urschel representative to determine the most effective solution to your size reduction needs.

URSCHEL® MODEL CC-D

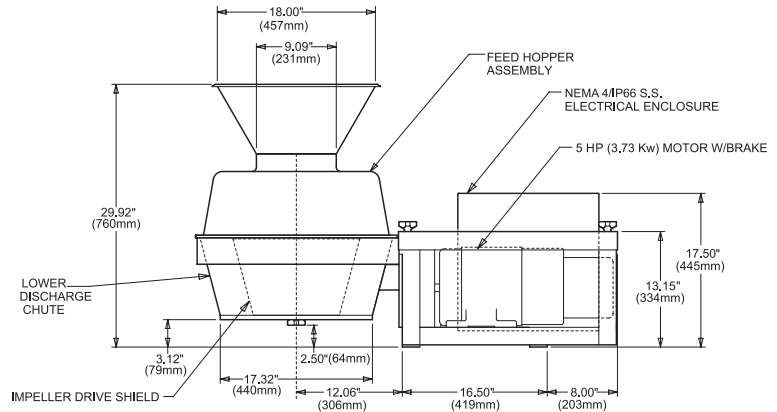
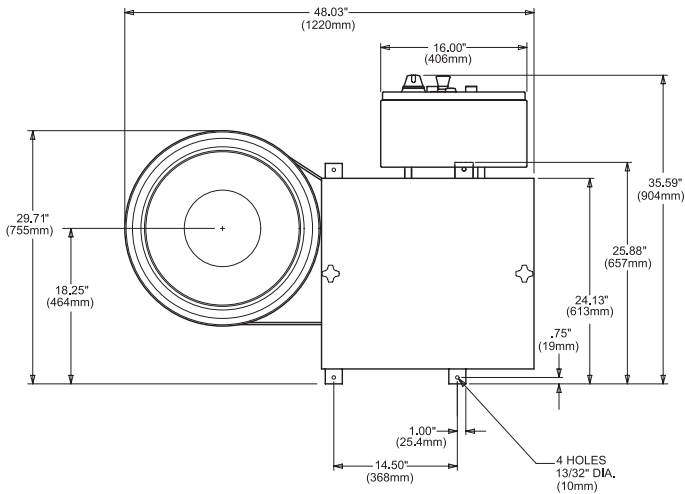


Measurements and weights may vary depending on machine configuration.

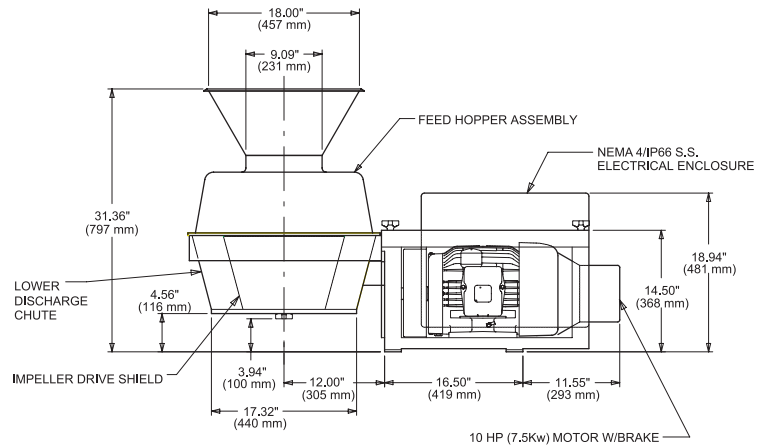
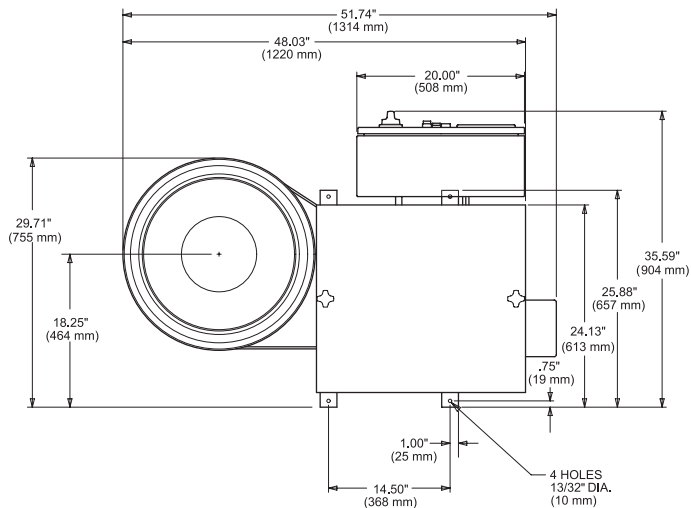
Length: 48.03" (1220 mm) - 5 HP
 51.74" (1314 mm) - 10 HP
Width: 35.59" (904 mm)
Height: 29.92" (760 mm) - 5 HP
 31.36" (797 mm) - 10 HP

Net Weight: 550 lb (250 kg) - 5 HP
 680 lb (310 kg) - 10 HP
Motor: 5 or 10 HP (3.7 or 7.5 kW)

SPECIFICATIONS & DIMENSIONS



Model CC-D equipped with a 5 HP motor



Model CC-D equipped with a 10 HP motor

TEST CUT YOUR PRODUCT

Contact your local Urschel representative to schedule a comprehensive, no-obligation test-cut of your product: www.urschel.com.



URSCHEL®

The Global Leader in Food Cutting Technology

www.urschel.com | info@urschel.com