

NEW LARGER 26" OR 32" ENCLOSURE KITS NOW AVAILABLE FOR THE MODEL CC-D



Urschel now offers part kits for existing Model CC-D's already in the field to increase the size of the enclosure surrounding the cutting zone.

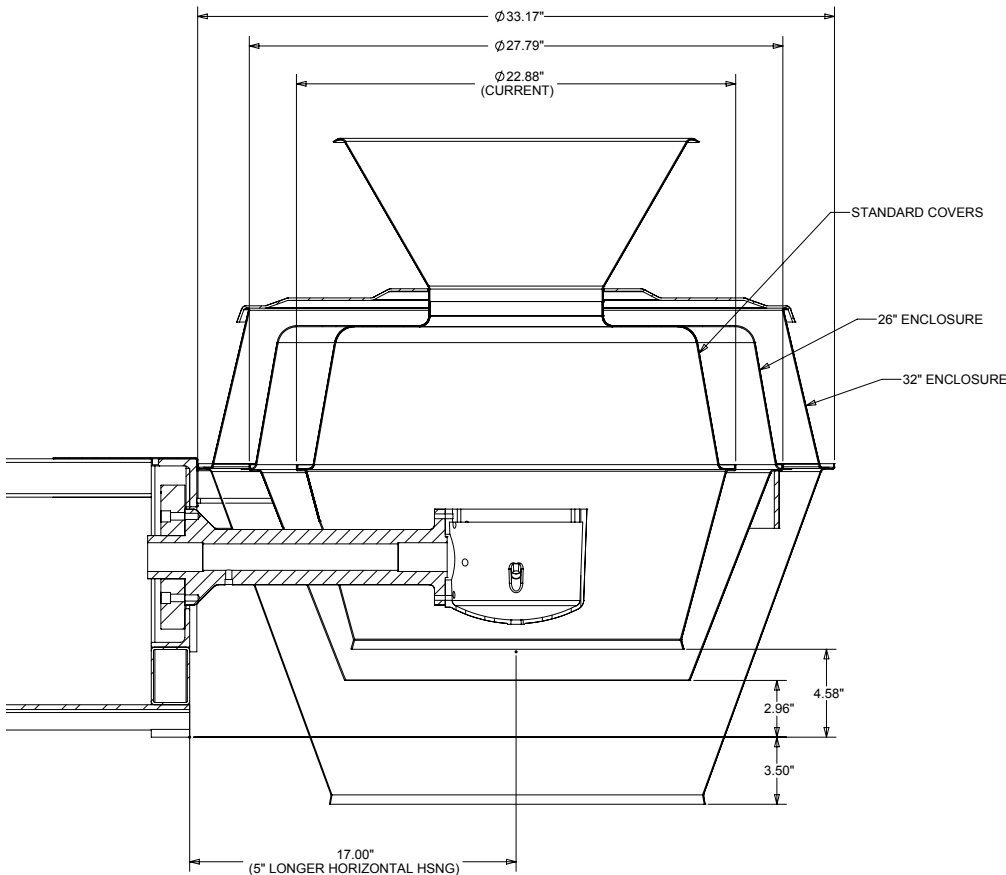
With a larger enclosure, the overall discharge area is increased. An increased discharge area promotes a smoother product flow. This lends to a higher throughput elevating overall capacities. A more efficient product flow also lessens downtime by reducing build-up issues.

For more information, contact your local Urschel representative.

26" Funnel Style Kit #23863

26" Crank Style Kit #23864

32" Crank Style Kit #23865



URSCHEL®
THE SIZE REDUCTION SPECIALISTS

2503 Calumet Ave. • P.O. Box 2200 • Valparaiso, Indiana 46384-2200 USA

Phone: (219) 464-4811 • www.urschel.com • E-mail: info@urschel.com

® Urschel is a registered trademark of Urschel Laboratories, Inc.

© 2010 Urschel Laboratories, Inc. L2323 JUNE 2010



Mozzarella
Crescent Shred



Cheddar
Oval Shred



Current CC-D enclosure measures approximately 22.8" in diameter.