

New Development for .212 V MicroAdjustable® Cutting Heads

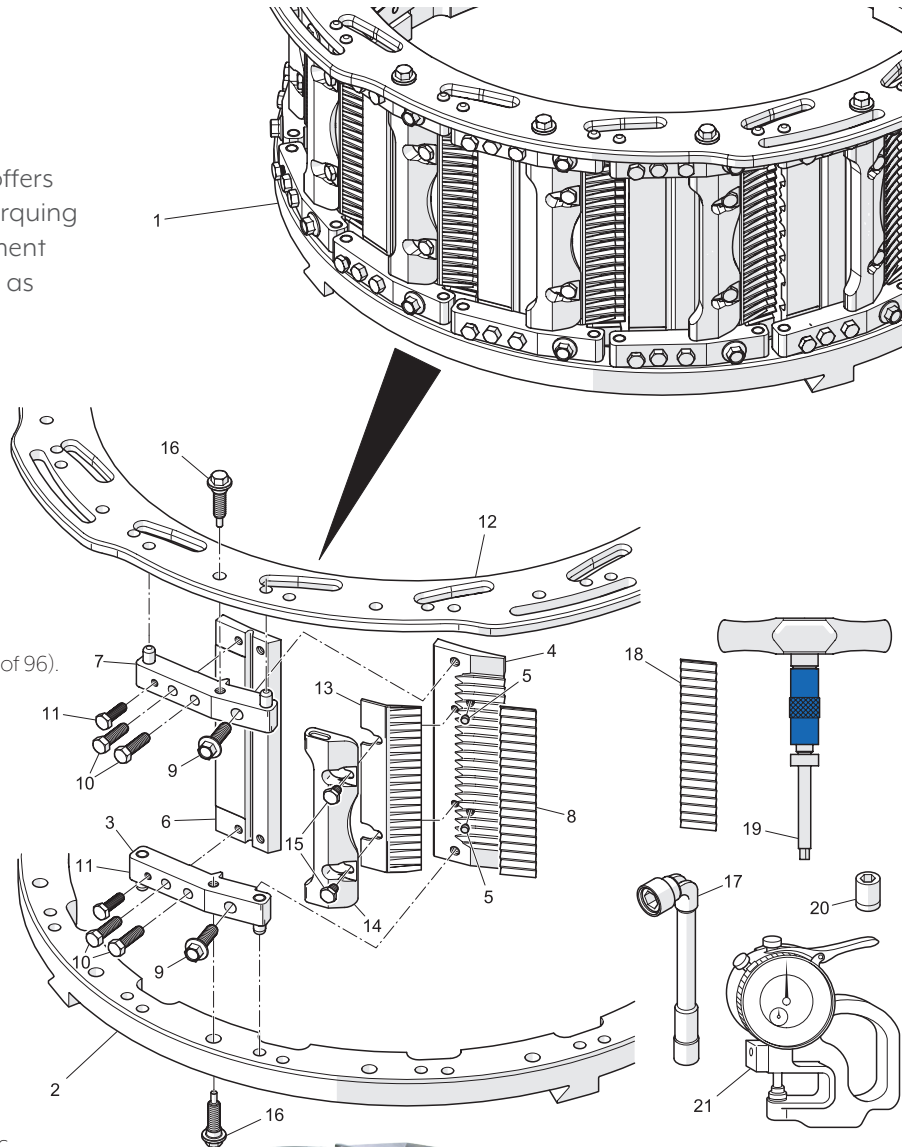


New slice gate improvements for the .212 V MicroAdjustable Cutting Head equipped with §SlideLocc™ Clamping.

The new slice gate (#26668) is more durable, offers increased longevity, and is less prone to overtorquing during the slice setting process. This advancement from Urschel will be replacing slice gate #25914 as current stock diminishes.

Explore the new slice gate and other .212 V parts:

1. (1) 26587 - Head Assembly, .212V (includes items 2-17)
 2. (1) 25919 - Bottom Ring, 14, slice, .212V
 3. (14) 25842 - Modular Block, Bottom
 4. (14) 25917 - Knife Holder, .212V, machined (includes item 5)
 5. (2) 23947 - Locating Pin, heavy duty
 - 6. (14) 26668 - Slice Gate, adjustable, .212V NEW**
 7. (14) 25841 - Modular Block, top
 8. (14) 22687 - Knife, slicing, .212 V-Cut, s.s. (22689 - package of 96).
 9. (28) 10645 - Hex Head Flange Screw, 1/4
 10. (56) 10641 - Hex Head Cap Screw, 12-24 x 3/4", s.s.
 11. (28) 10640 - Hex Head Cap Screw, 10-32 x 5/8", s.s.
 12. (1) 25920 - Top Ring, 14, slice, .212V
 13. (14) 26589 - Knife Clamp, .212 V-Cut, SlideLocc
 14. (14) 26588 - Clamp Bar, SlideLocc
 15. (28) 22859 - Screw, Knife Clamp, 10-24 x 1/4"
 16. (28) 25819 - Shoulder Bolt, 1/4-20, s.s., pivot
 17. (1) 26537 - Wrench, 5/16", 90 degree angle, 6 x 6 point
- Optional knife
18. (14) 22857 - Knife, slicing, .212 V-cut, gold (22858 - package of 96, replaces item 8)
- Optional tools
19. (1) 98475 - Torque Wrench, "T" handle, lock, 45 in/lb.
 20. (1) 11074 - Socket, 5/16, 6 point, 1/4" drive
 21. (1) 23155 - Slice Thickness Gauge, V-Cut and Crinkle, metric



#1 Best Selling
provider of commercial cutting machinery throughout the world.

**THE GLOBAL LEADER
IN FOOD CUTTING TECHNOLOGY®**

NORTH AMERICA | EUROPE | SOUTH AMERICA | ASIA | AUSTRALIA | AFRICA

www.urschel.com

™SlideLocc pending. §U.S. and Foreign Patents pending.

®MicroAdjustable, Urschel, Urschel logo symbol, and The Global Leader in Food Cutting Technology are registered trademarks of Urschel Laboratories, Inc. U.S.A.