

MODEL W

FRENCH STYLE BEAN SLICER

The Urschel Model W Bean Slicer produces excellent french style cuts from round pod beans. This machine also produces attractive cuts from other pod bean varieties. The Model W features continuous operation for uninterrupted production and simplified design for easy cleanup and maintenance.



TYPES OF CUTS

Circular Knife Cuts



Stationary Knife Cut

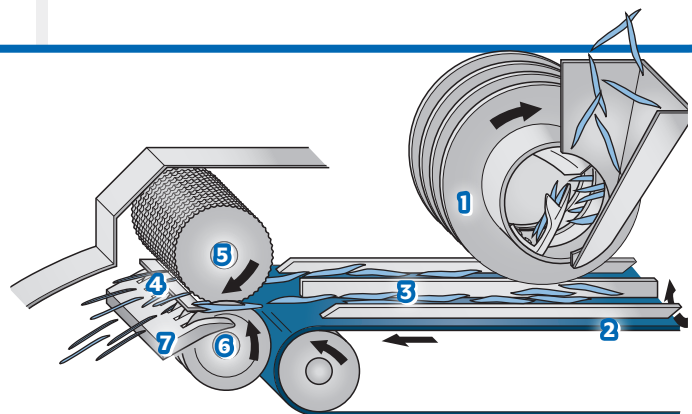
Circular knife spaced centers of 5/32" (4 mm), 3/16" (4.8 mm), and 1/4" (6.4 mm) on round pod beans.



FRENCH STYLE CUT GREEN BEANS

CUTTING OVERVIEW

1. Feed Cylinder
2. Speed Belt
3. Parallel Guides
4. Stationary Knife
5. Cutting Roll
6. Circular Knife Spindle
7. Stripper Plate



If your product application is not mentioned on this page, contact your local Urschel representative to determine the most effective solution to your size reduction needs.

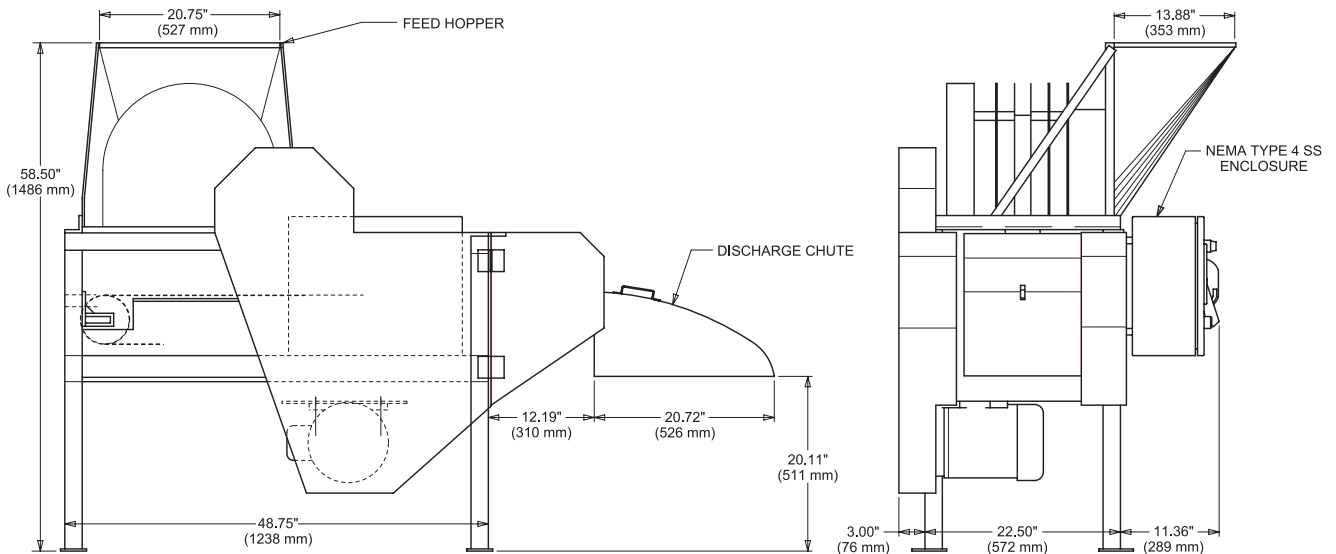
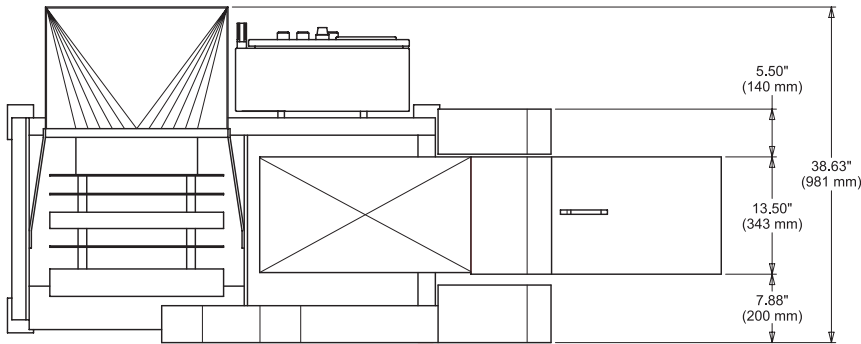
MODEL W

Measurements and weights may vary depending on machine configuration.

Length:..... 82.00" (2083 mm) **Net Weight:** 1016 lb (461 kg)
 Width:..... 38.75" (984 mm) **Motor:**..... 5 HP (3.7 kW)
 Height:..... 57.75" (1467 mm)



SPECIFICATIONS & DIMENSIONS



TEST CUT YOUR PRODUCT

Contact your local Urschel representative to schedule a comprehensive, no-obligation test-cut of your product: www.urschel.com.



URSCHEL®
 The Global Leader in Food Cutting Technology

www.urschel.com | ✉ info@urschel.com