

MODEL H-A

UNIFORMLY DICES OR STRIP CUTS

The Urschel Model H-A uniformly slices, strip cuts, and dices a variety of products including peaches, pears, potatoes, lettuce, cucumbers, and carrots. The machine features stainless steel product contact parts, continuous operation for uninterrupted production, and is designed for easy cleanup and maintenance.

Maximum infeed product entering the Model H-A should not exceed 5-1/2" (140 mm) in any dimension.



TYPES OF CUTS



SLICE THICKNESS

1/8 to 1" (3.2 to 25.4 mm)

CROSSCUT KNIFE CUTS

3/4" (19.1 mm), 7/8" (22.2 mm),
1" (25.4 mm), 1-1/8" (28.6 mm),
1-1/2" (38.1 mm), 1-3/4" (44.5 mm).
Additional sizes available.

CIRCULAR KNIFE CUTS

1/8" (3.2 mm), 3/16" (4.8 mm),
1/4" (6.4 mm), 3/8" (9.5 mm),
1/2" (12.7 mm), 5/8" (15.9 mm),
3/4" (19.1 mm), 1" (25.4 mm),
1-1/8" (28.6 mm), 1-1/2" (38.1 mm),
2" (50.8 mm), 3" (76.2 mm)

1 ICEBURG LETTUCE
2 x 2" (50.8 x 50.8 mm)
Chop

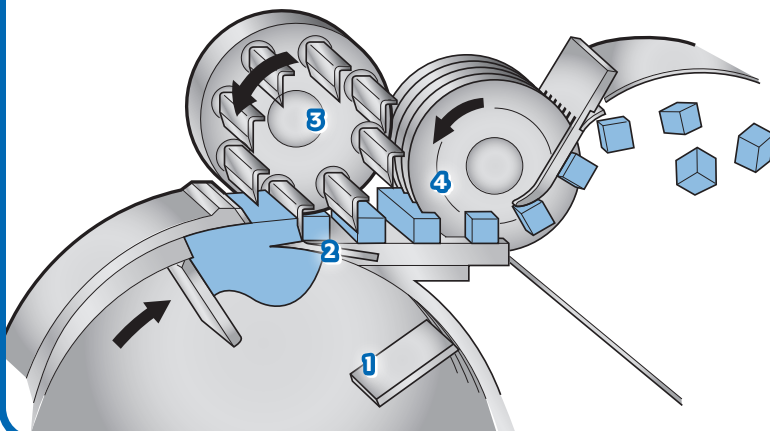
2 PAPAYA
3/4" (19.1 mm) Dice

3 PINEAPPLE
3/4" (19.1 mm) Dice

4 POTATO
3/4" (19.1 mm) Dice

5 TOMATO
5/8" (15.9 mm) Dice

CUTTING OVERVIEW



1. Impeller
2. Slicing Knife
3. Crosscut Knives
4. Circular Knives

If your product application is not mentioned on this page, contact your local Urschel representative to determine the most effective solution to your size reduction needs.

MODEL H-A

Measurements and weights may vary depending on machine configuration.

Length:..... 73.73" (1873 mm)

Net Weight: 770 lb (349 kg)

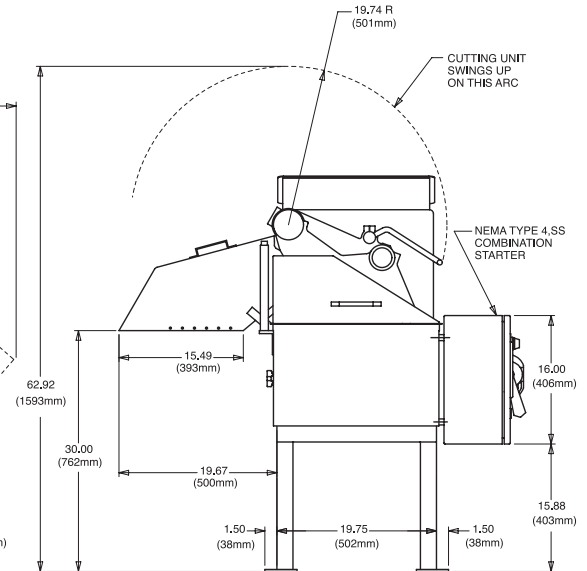
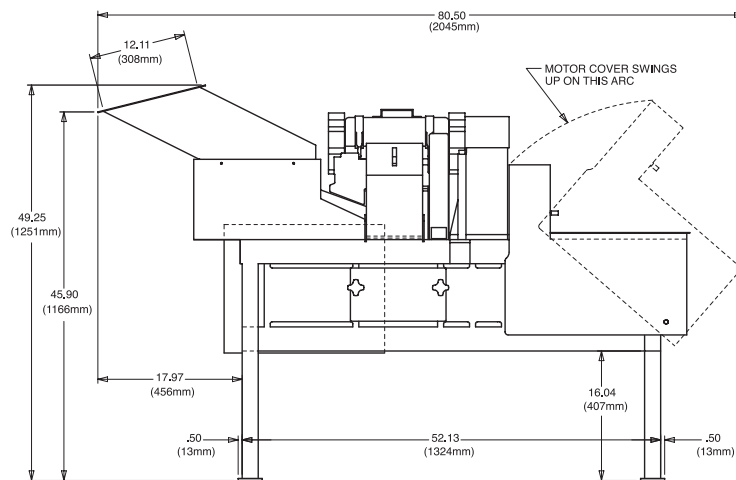
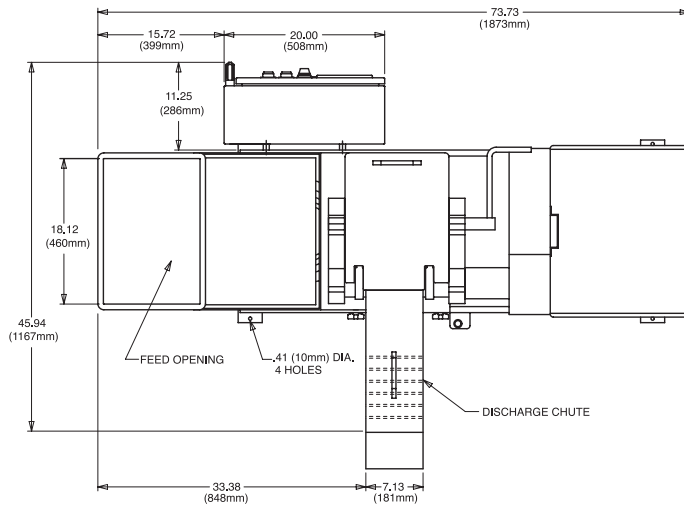
Width:..... 45.94" (1167 mm)

Motor:..... 2 HP (1.5 kW)

Height:..... 49.25" (1251 mm)



SPECIFICATIONS & DIMENSIONS



TEST CUT YOUR PRODUCT

Contact your local Urschel representative to schedule a comprehensive, no-obligation test-cut of your product: www.urschel.com.



URSCHEL®

The Global Leader in Food Cutting Technology

www.urschel.com | ✉ info@urschel.com