

COMITROL® PROCESSOR MODEL 3000

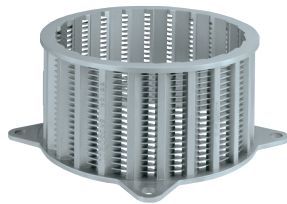
HIGH MOISTURE CONTENT APPLICATIONS

The Comitrol Processor Model 3000 is ideally suited for milling products with a high-moisture content such as whole kernel sweet corn, cooked meats, and vegetables. Product input is dependent on the style of reduction head, impeller selection, and spacing within the head. Generally, maximum input size in any dimension should not exceed 2-1/2" (63.5 mm).

The two piece enclosure simplifies disassembly, cleaning, and care of the cutting parts. Stainless steel construction ensures maximum durability and sanitation. The machine features continuous operation for uninterrupted production, and is designed for easy cleanup and maintenance.

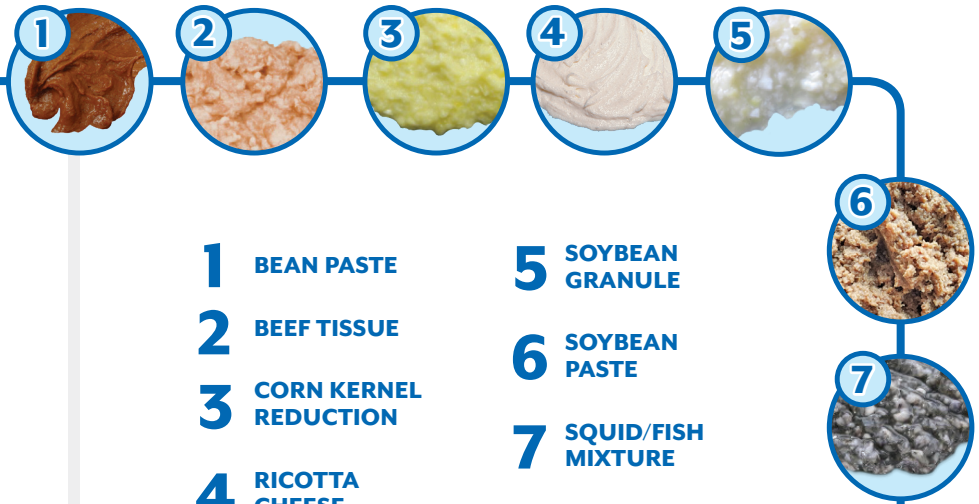


TYPES OF CUTS

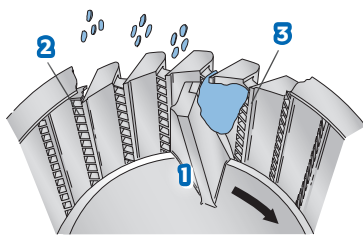


Cutting Head

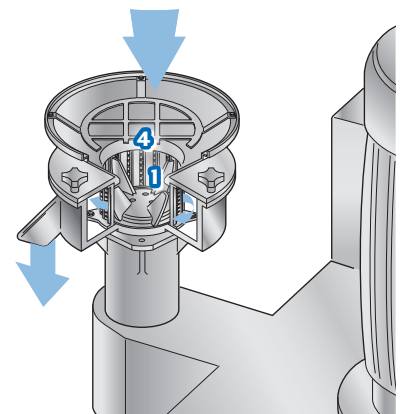
Utilizes 6" (152.4 mm) diameter Cutting Heads paired with a variety of impellers to produce coarse to fine reductions.



CUTTING OVERVIEW



- 1. Impeller
- 2. Horizontal Separators
- 3. Vertical Knives
- 4. Cutting Head



If your product application is not mentioned on this page, contact your local Urschel representative to determine the most effective solution to your size reduction needs.

COMITROL® PROCESSOR MODEL 3000

Measurements and weights may vary depending on machine configuration.

Length:..... 51.69" (1313 mm)

Net Weight: 1100 lb (499 kg)

Width:..... 32.92" (836 mm)

Motor:..... Impeller –

15, 30, or 40 HP

(11.2, 22.4, or 30 kW)

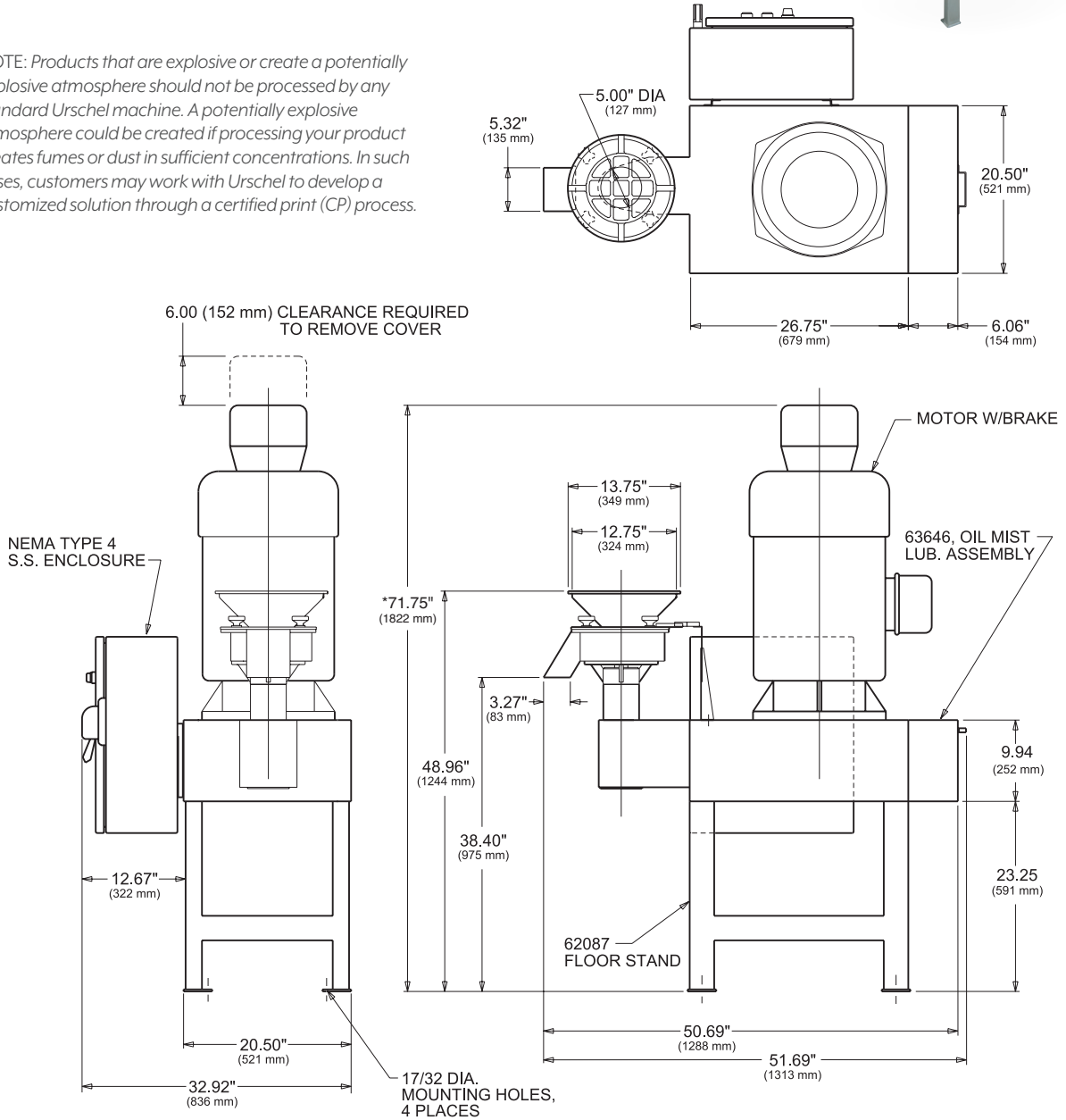
Height:..... *71.75" (1822 mm)

*Usual height with 40 HP motor. This height will vary depending on horsepower and motor manufacturer.



SPECIFICATIONS & DIMENSIONS

NOTE: Products that are explosive or create a potentially explosive atmosphere should not be processed by any standard Urschel machine. A potentially explosive atmosphere could be created if processing your product creates fumes or dust in sufficient concentrations. In such cases, customers may work with Urschel to develop a customized solution through a certified print (CP) process.



PUT URSCHTEL TO THE TEST Schedule a comprehensive, no-obligation test cut of your product.

COMITROL®
BY URSCHTEL THE SIZE REDUCTION SPECIALISTS



URSCHTEL®
The Global Leader in Food Cutting Technology
www.urschel.com | info@urschel.com