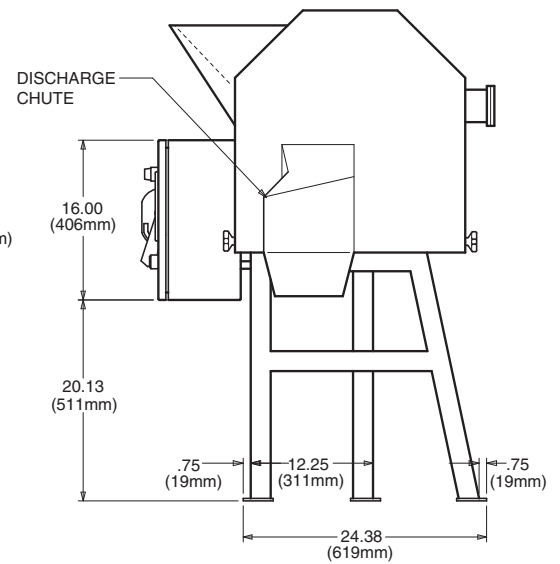
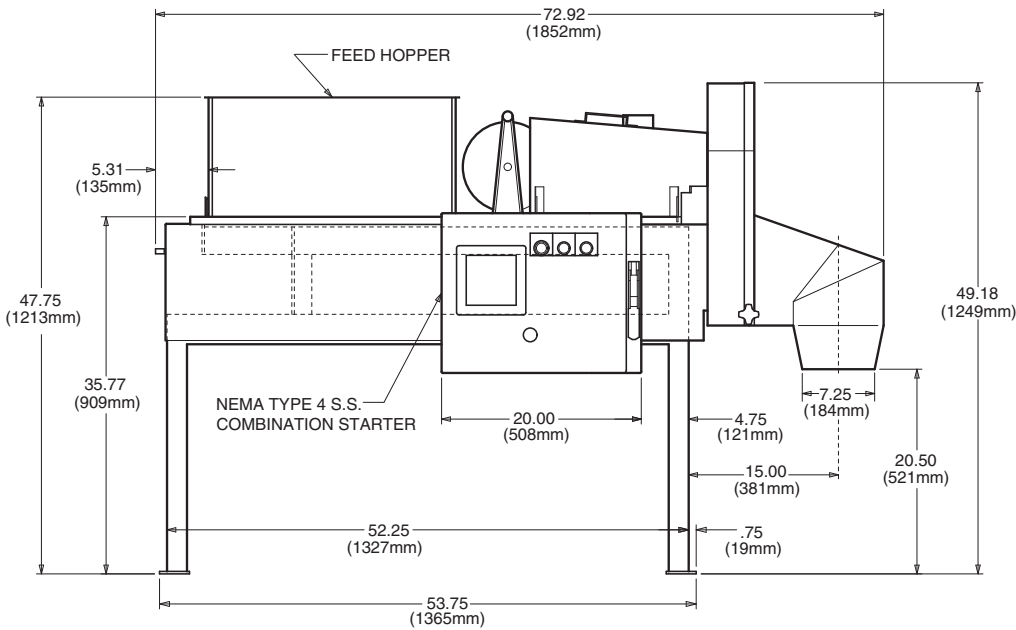
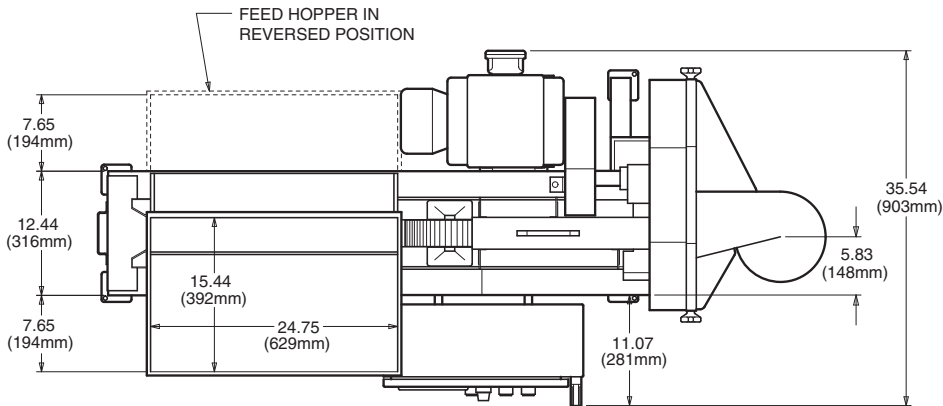
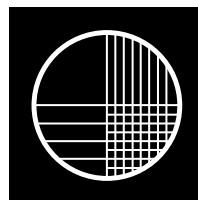


# Urschel® Model OV Dimensional Drawing



## Your Product Can Be Test Cut

Urschel Laboratories has a complete network of test facilities and experienced service and sales representatives around the world ready to work for you on any size reduction application. Contact your local Urschel Laboratories' representative to schedule a comprehensive, no-obligation test today at [www.urschel.com](http://www.urschel.com).



## URSCHEL

LABORATORIES INCORPORATED

2503 Calumet Avenue, P.O. Box 2200  
Valparaiso, Indiana 46384-2200 U.S.A.  
219/464-4811 Fax: 219/462-3879  
<http://www.urschel.com>  
E-mail: [info@urschel.com](mailto:info@urschel.com)

**Designers and manufacturers of  
precision size reduction equipment.**

©Urschel is a registered trademark of Urschel Laboratories, Inc.